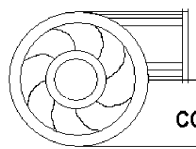
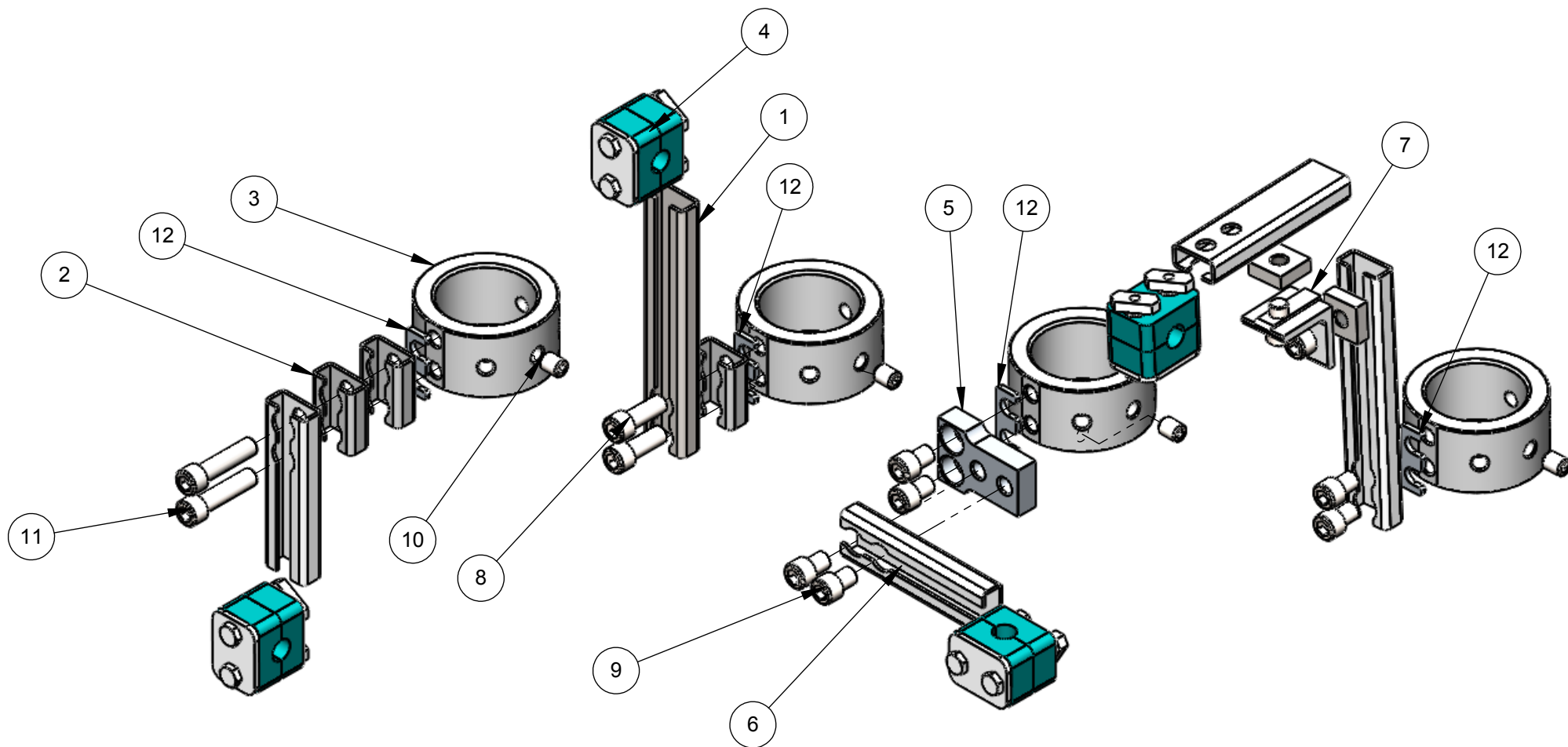
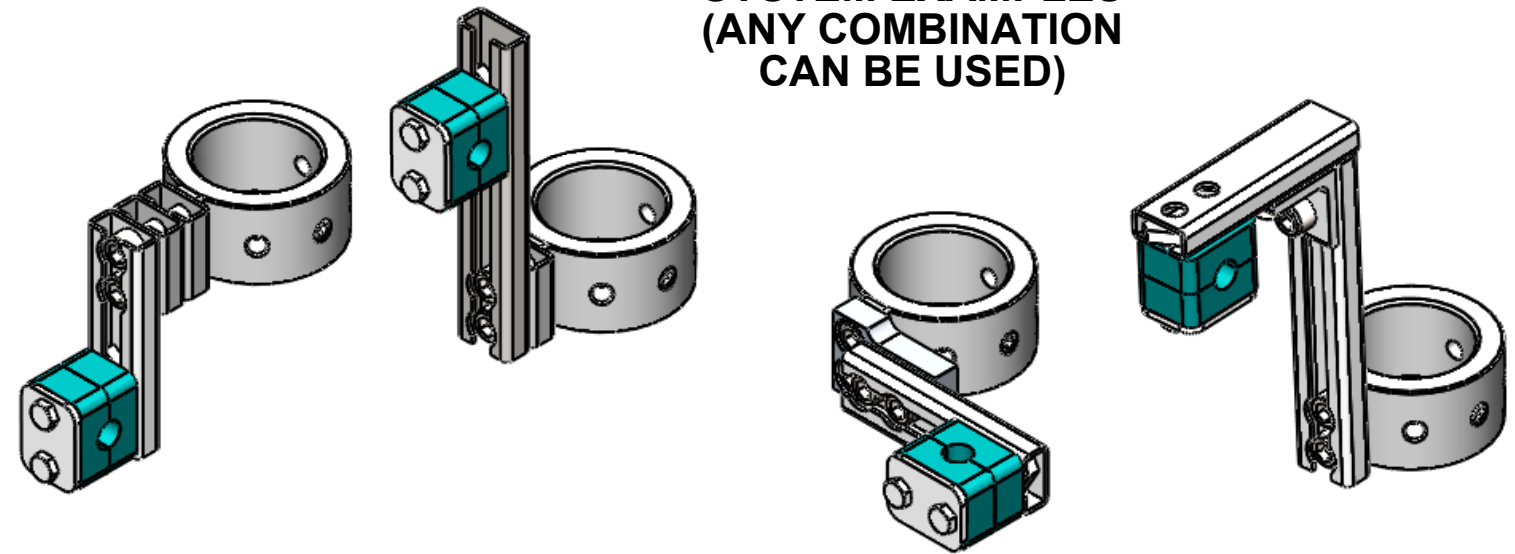
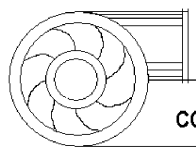


PROPRIETARY AND CONFIDENTIAL		PROJECT FLUSH LINE HARDWARE	PART NO. P00051700	ALT. PART NO.	QTY WIP	TITLE: FLUSH LINE HARDWARE	DWG. NO. D00051702
 NW Industries of Montana, Inc COMAC COMputer MACHining	238 Naylor Street Billings, MT. 59101 Tel: 406-248-2813 Fax: 406-248-7133 Web Site: nwimt.com	CLIENT PETRO INDUSTRY	COMMENTS	MATERIAL AISI 304	WEIGHT LBS	DRAWN BY JRG	DATE 04/26/04
				SPECIAL COATING N/A	HEAT TREAT N/A	SIZE B	REV 0
							SHEET 1 OF 4

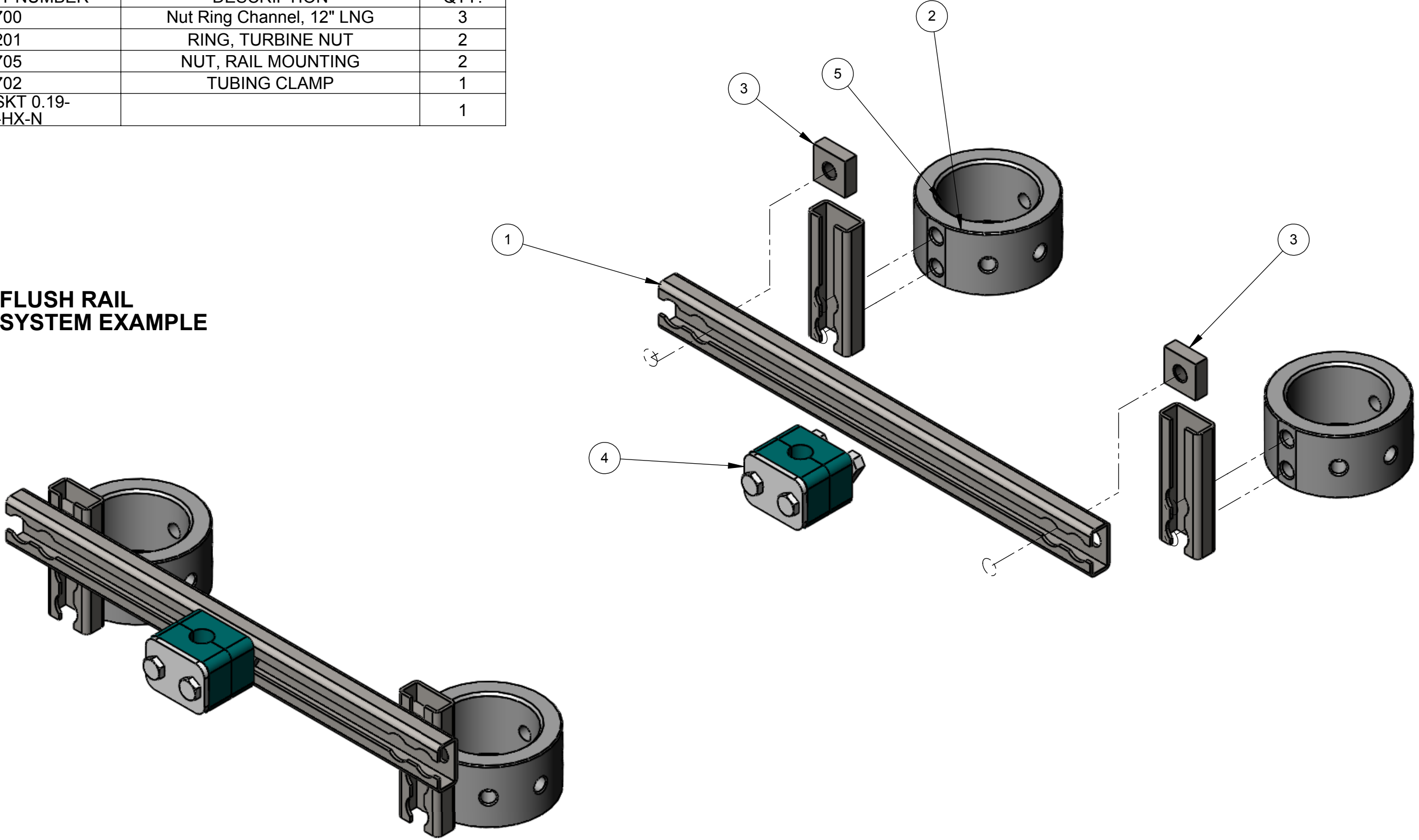
ITEM NO.	PART NUMBER	DESCRIPTION	QTY.
1	P00051700	Nut Ring Channel, 12" LNG	1
2	P00051701	Nut Ring Channel Spacer, Flush Line	3
3	P00038201	RING, TURBINE NUT	4
4	P00051702	TUBING CLAMP	3
5	P00051707	ADAPTER, 90° RAIL MOUNT	1
6	P00051720	Nut Ring Channel, 4" LNG	2
7	P00051713	ADAPTER, 90° ELBOW RAIL	1
8	HX-SHCS 0.375-24x1x1-N	3/8" 24 X 1" SHCS	2
9	HX-SHCS 0.375-24x0.5x0.5-N	3/8" 24 X 1/2" SHCS	6
10	SSCUPSKT 0.375-24x0.5-HX-N	3/8" 24 X 1/2" SET SCREW	4
11	HX-SHCS 0.375-24x1.5x1.5-N	3/8" 24 X 1-1/2" SHCS	2
12	P00051708	SPACER, 10 GAGE SS	4

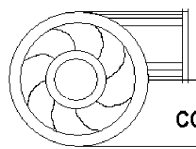


PROPRIETARY AND CONFIDENTIAL		PROJECT FLUSH LINE HARDWARE	PART NO. -	ALT. PART NO.	QTY	TITLE: NUT RING ASSY EXAMPLES	DWG. NO. D00051702	
 NW Industries of Montana, Inc COMAC COMputer MACHining	238 Naylor Street Billings, MT. 59101 Tel: 406-248-2813 Fax: 406-248-7133 Web Site: nwimt.com	CLIENT	COMMENTS	MATERIAL 304 SS	WEIGHT 8.354 LBS	DRAWN BY JRG	DATE 04/26/04	REV 0
				SPECIAL COATING -	HEAT TREAT -	SIZE B	SHEET 2 OF 4	

ITEM NO.	PART NUMBER	DESCRIPTION	QTY.
1	P00051700	Nut Ring Channel, 12" LNG	3
2	P00038201	RING, TURBINE NUT	2
3	P00051705	NUT, RAIL MOUNTING	2
4	P00051702	TUBING CLAMP	1
5	SSCUPSKT 0.19-32x0.25-HX-N		1

FLUSH RAIL SYSTEM EXAMPLE

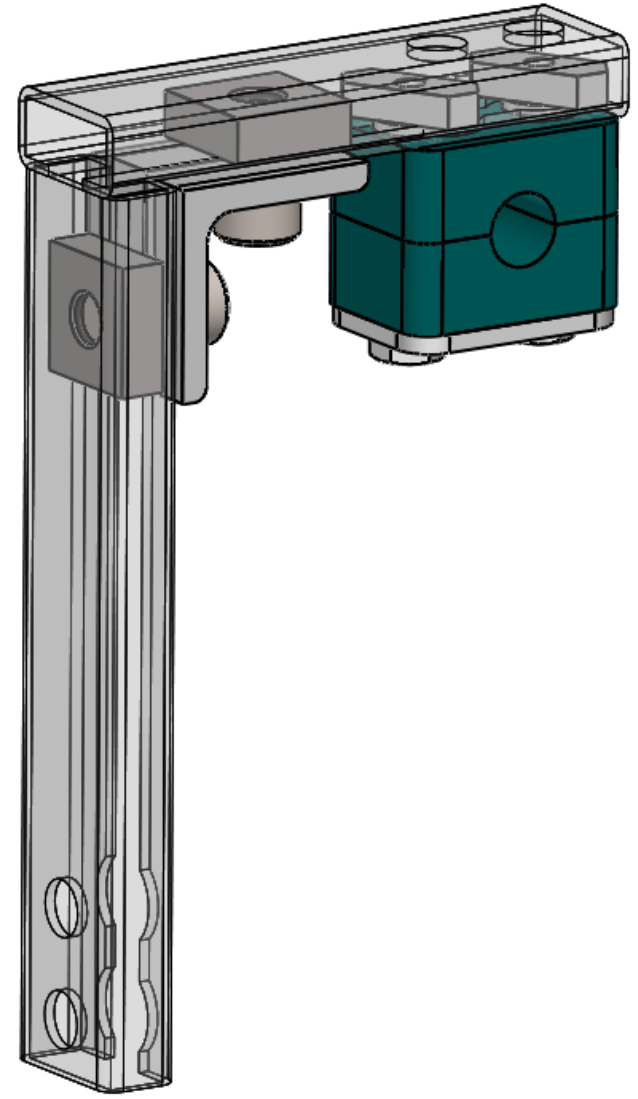
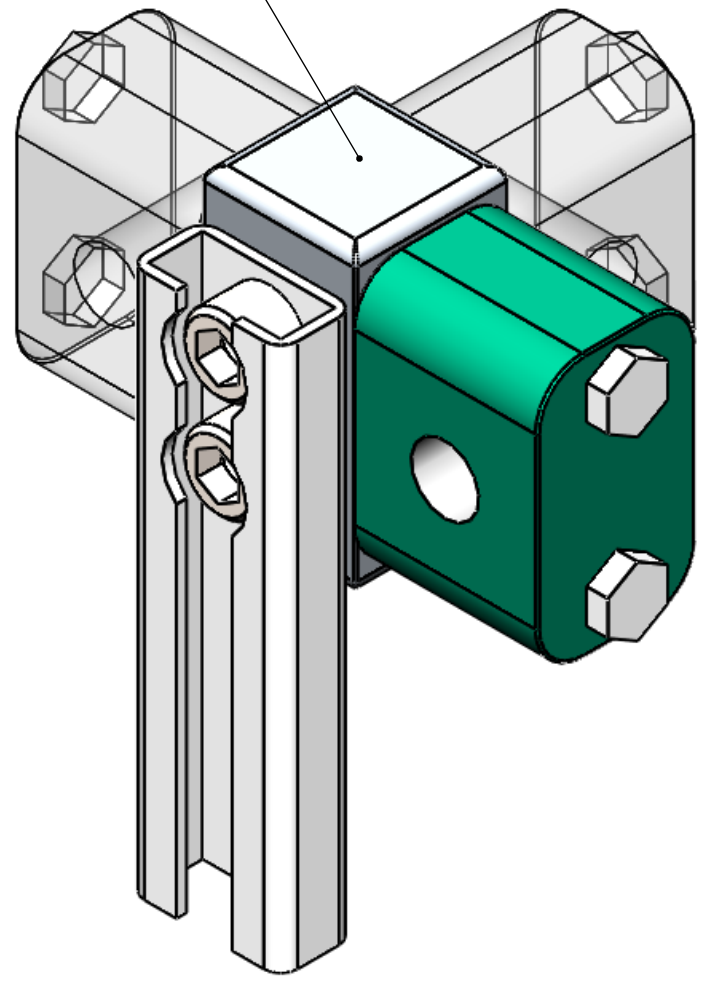


PROPRIETARY AND CONFIDENTIAL		PROJECT FLUSH LINE HARDWARE	PART NO. -	ALT. PART NO.	QTY	TITLE: NUT RING ASSY	DWG. NO. D00051702	
 NW Industries of Montana, Inc COMAC COMputer MACHining	238 Naylor Street Billings, MT. 59101 Tel: 406-248-2813 Fax: 406-248-7133 Web Site: nwimt.com	CLIENT	COMMENTS	MATERIAL 304 SS	WEIGHT 3.982 LBS	DRAWN BY JRG	DATE 04/26/04	REV 0
				SPECIAL COATING -	HEAT TREAT	SIZE B	SHEET 3 OF 4	

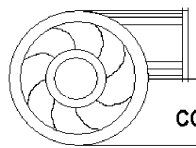
8 7 6 5 4 3 2 1

D
C
B
A

ADAPTER BLOCK,
3 POSITION.
PART NO.
P00051709



D
C
B
A

PROPRIETARY AND CONFIDENTIAL		PROJECT FLUSH SYS HARDWARE	PART NO. P00051709	ALT. PART NO. N/A	QTY WIP	TITLE: ADAPTER BLOCK, MOUNTING	DWG. NO. D00051702		
 NW Industries of Montana, Inc COMAC COMputer MACHining	238 Naylor Street Billings, MT. 59101 Tel: 406-248-2813 Fax: 406-248-7133 Web Site: nwimt.com	CLIENT CPPL	COMMENTS	MATERIAL ASTM-304	WEIGHT 3.341 LBS	DRAWN BY JRG	DATE 04/21/08	REV 0	
				SPECIAL COATING N/A	HEAT TREAT N/A	SIZE B	SHEET 4 OF 4		

8 7 6 5 4 3 2 1